

**THE INFOTEC IS2113
LOW VOLUME
BW DIGITAL COPIER**



infotec **e@si**''''

INFOTEC IS2113 CONTENTS

DESCRIPTION	PAGE NO
INTRODUCTION	3
<u>KEY POINTS</u> PRODUCT OVERVIEW – 4 TARGET VOLUMES – 4 MEMORY CONFIGURATIONS – 4 COMPARISON WITH THE IS2013/4151MF – 5 COMPACT SIZE – 6 OEM EQUIVALENTS – 6	4-6
CONFIGURATIONS AND PART NUMBERS	7
<u>PRODUCT SPECIFICATIONS</u> MAINFRAME – 9 COPIER FEATURES – 10 ENHANCED FEATURES – 11 COPY SPEED MATRIX – 11 PAPER SIZES – 12 ENVIRONMENTAL SPECIFICATIONS - 13	9

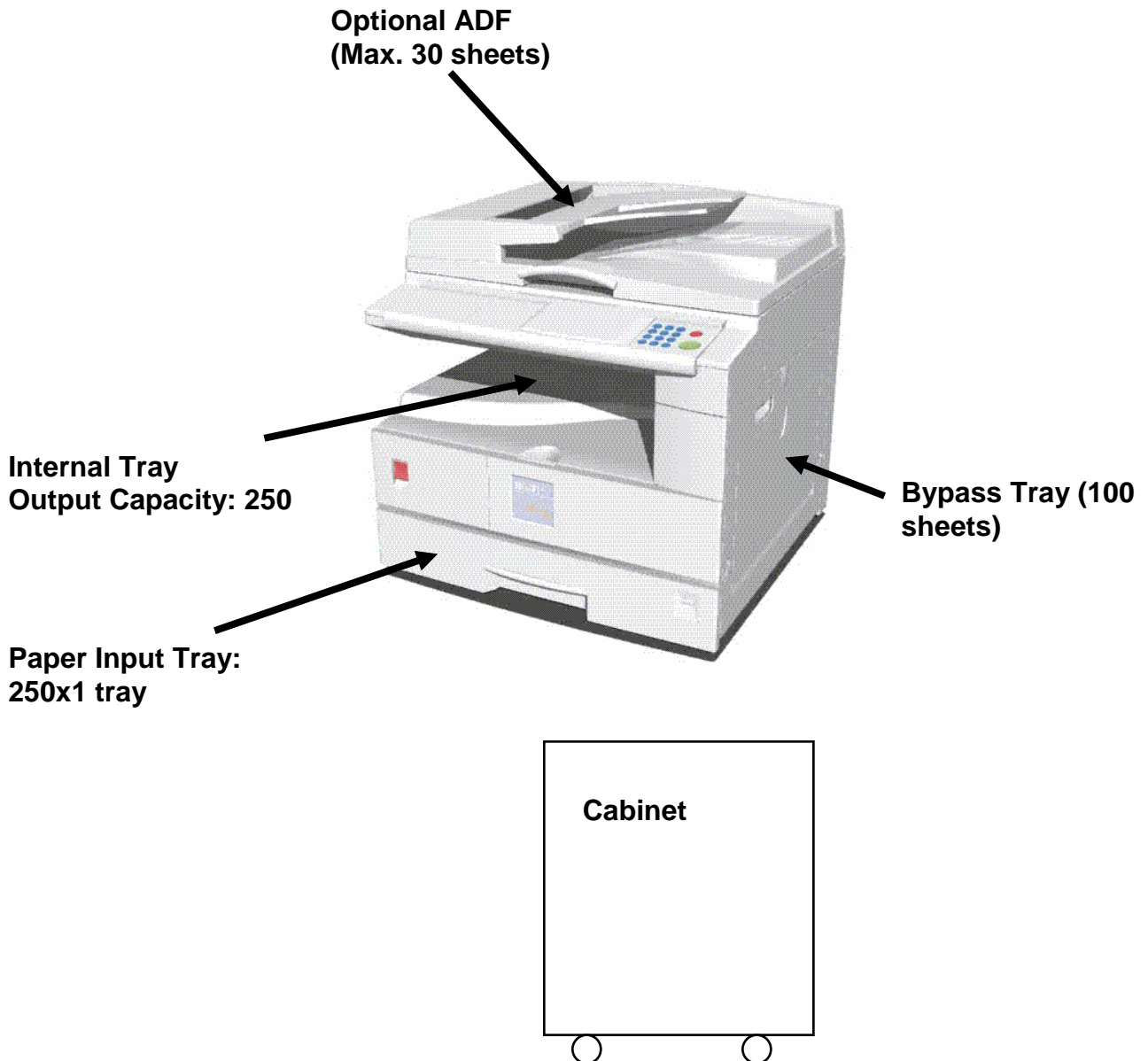
INTRODUCTION

The Infotec IS2113 digital copier is introduced primarily to replace the low volume analogue models, which have been discontinued for some time now.

With a speed of 13 copies per minute and A3 capability, the IS2113 is a stand alone copier designed for the low volume user who requires a low-cost solution and does not need multi-functional capability.

The IS2113 is based very closely on the 4151MF, with common consumables, but without the multi-functional options.

There is still significant market demand for a low volume stand alone copier for use in smaller departments and for single users. The IS2113 has all the advantages of digital copying, including scan once, copy many and electronic sorting. It also has a very compact, space saving design.



KEY POINTS

PRODUCT OVERVIEW

The IS2113 is a 13 cpm stand-alone A3 copier, which is very straightforward to use and to configure. It comes with a standard paper capacity of 350 sheets (250 sheet cassette plus 100 sheet bypass). The output capacity is 250 sheets.

Keeping things really simple, the only additional options are:

- ◆ 30 sheet Automatic Document Feeder OR platen cover
- ◆ Cabinet
- ◆ 16 MB additional memory
- ◆ 32 MB additional memory

TARGET VOLUMES

For its size, the IS2113 has an impressive volume capability:

Average monthly recommended volume	3,000
Maximum monthly recommended volume	10,000
Duty cycle*	30,000
Target MCBC (Mean Copies Between Calls)	27,300
PM Cycle (Preventative maintenance)	60,000
Unit Life	Approx 600,000 copies or 5 years, whichever comes first

* The duty cycle is the maximum volume at which the machine can run, for use during peak periods. However, prolonged use at this level will shorten the life of the product.

MEMORY CONFIGURATION

The IS2113 comes with 0MB RAM as standard. This can be upgraded with either:

16 MB RAM or 16 MB PLUS 32 MB RAM

Additional 16 MB RAM is essential to provide the key digital features: scan once, copy many and electronic sort and to use the Automatic Document Feeder.

The extra 32 MB RAM provides an increase in the number of pages which can be stored in the memory for sorting:

16 MB allows up to 68* x A4/22 x A3 pages to be stored for sorting

32 MB allows up to 265* x A4/119 x A3 pages to be stored for sorting

*based on 6% coverage chart

COMPARING THE IS2113 WITH THE IS2013 AND THE 4151MF

The IS2113 is ideal when the user requires copying up to A3, but does not need all the benefits of multi-functionality which are provided with, for example, the IS2013 or the 4151MF:

		IS2113	IS2013	4151MF
Copy speed		13cpm	13 cpm	15cpm
Max output size		A3	A4	A3
Memory capacity	Std	0MB	8 MB	0 MB
	option	16MB, 32MB	32MB, 64MB, 128 MB	32MB, 64MB, 128 MB
Paper Capacity	std	250 sheet x 1 + 100 sheet bypass	250 sheet x 1 + 100 sheet bypass	250 sheet x 1 + 100 sheet bypass
	max	350 sheets	850 sheets	1350 sheets
Max monthly volume		10,000	5,000	10,000
Monthly duty cycle		30,000	15,000	30,000
APS/AMS		No	No	Yes
Scan once copy many		Yes, with 32 MB memory	Yes, with 32 MB memory	Yes, with 16 MB memory
Electronic sort		Yes with 16MB memory	Yes, with 32 MB memory	Yes with 16MB memory
Image Rotation		No	No	Yes with 16MB memory
Series Copy		No	No	Yes with 16MB memory
Combine Copy		No	Yes, 2 in 1 possible	Yes with 16MB memory
Option	Platen Cover	Yes	Standard	Yes
	ADF	Yes	Yes	Yes
	Paper Bank	No	Yes	Yes
	Copier memory	Yes	Yes	Yes
	Fax option	No	Yes	Yes
	Printer option	No	Yes	Yes

COMPACT

The IS2113 is only 550 x 568 x 420 mm (WxDxH), with no protruding trays and can even be placed on a desktop. Therefore, it will fit into the smallest environment.

OEM EQUIVALENTS

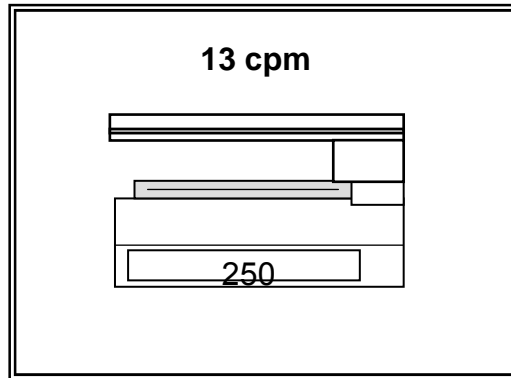
INFOTEC	IS2113
RICOH	AFICIO 1113
GESTETNER	1312
NASHUATEC	1315
REX ROTARY	1318
LANIER	LD013

CONFIGURATIONS AND PART NUMBERS

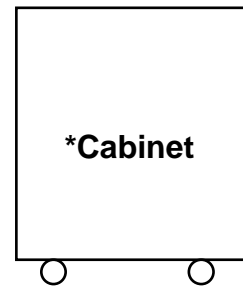
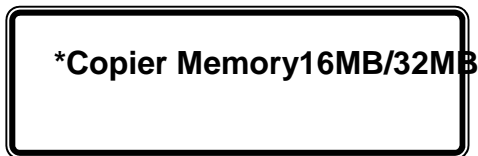
Platen Cover



ADF 30 Sheet



Internal Options



DESCRIPTION	PART NO	COMMENTS
IS2113	890 100 67	Basic 13 cpm copier Includes a PCU <u>Also required – to be ordered separately:</u> Toner and Developer Operator Instructions English Cabinet (or can be used on desk top) Document feeder or Platen Cover Electronic sort (not rotate) requires 16 MB memory upgrade
Black toner (Minimum order 6)	890 400 06	Target Life 9,000 copies
Developer	890 400 05	Target Life 60,000 copies
OPC Drum 41/I	890 400 07	Target Life 60,000 copies

CONFIGURATIONS AND PART NUMBERS CTD

DESCRIPTION	PART NO	COMMENTS
Operator Instructions English	890 510 19	O/I required with every IS2113 – order separately
O/I German	890 510 20	
O/I French	890 510 21	
O/I Italian	890 510 22	
O/I Spanish	890 510 23	
O/I Swedish	890 510 24	
O/I Dutch	890 510 25	
O/I Norwegian	890 510 26	
O/I Danish	890 510 27	
O/I Finnish	890 510 28	
O/I Hungarian	890 510 29	
O/I Portuguese	890 510 30	
O/I Polish	890 510 31	
O/I Czech	890 510 32	
Document Feeder (DF72)	890 200 45	30-sheet document feeder – requires 16 MB memory upgrade
Platen Cover	890 300 50	Required if no document feeder fitted
Copier Memory 16MB	890 300 51	Required for full digital features: scan once copy many, electronic sort and use of ADF
Memory unit 32 MB	889 983 51	Provides electronic sort of larger documents (see memory section above) Can only be fitted if 16 MB is fitted
Cabinet – High	890 300 61	

PRODUCT SPECIFICATIONS

MAINFRAME

(Remarks: SEF: short-edge feed, LEF: long-edge feed)

<p>1. Technology:</p> <p>a) Reading element b) Printing processing</p>	<p>Flatbed with moving CCD array image-sensing element Laser beam scanning/marketing & electro-photographic printing. Dry, dual component toner development</p>
<p>2. Dimensions</p> <p>(WxDxH):</p> <p>a) Standard configuration b) With ADF</p>	<p>W550 x D568 x H420 mm (21.65" x 22.36"x 16.54") Height: Approx. 510mm (20.08")</p>
<p>3. Weight</p>	<p>34kg or less (75 lbs.)</p>
<p>4. Input Capacity</p>	<p>250 sheets tray x 1 100 sheets multi bypass tray (based on 80 gsm)</p>
<p>5. Output Capacity:</p>	<p>250 sheets (internal tray) (based on 80 gsm)</p>
<p>6. Paper size / weight:</p> <p>a) Size:</p> <p>b) Weight:</p>	<p>See paper size section for more details</p> <p>Standard Tray: A5(LEF)- A3(SEF), 5 1/2" x 8 1/2"(LEF)-11" x 17"(SEF)</p> <p>Bypass Tray: A6 (SEF) - A3 (SEF), 5 1/2"x 8 1/2"(SEF) - 11"x 17"(SEF)</p> <p>Standard Tray : 60 to 90 gsm (16 to 24 lbs.) Bypass Tray : 52 to 162 gsm (14 to 42 lbs.)</p>
<p>7. Rating power spec:</p>	<p>220-240V, 50/60Hz</p>
<p>8. Power consumption:</p>	<p>Full system: Less than 1.2KW</p>

COPIER FEATURES

FEATURE	DETAILS
1st copy speed	Less than 6.9seconds (A4 / 8 1/2" x 11" LEF from the standard tray, no R/E)
Multi copy speed	13cpm (13 cpm one to one copying) (A4 / 8 1/2" x 11" LEF, no R/E)
Multiple copy	Up to 99
Resolution	600 dpi
Grey Scale (per dot)	Scanning: 64 levels, Marking: Binary
Warm-up time	Less than 25 seconds
Memory Capacity	Standard: no memory (0MB) Option: 16MB 32 MB
Enlargement	122, 141, 200%
Reduction	93, 82, 71, 50%
Zoom	50% to 200% in 1% step
Image density adjustment	Manual or automatic
Interrupt copy	Not available
Electronic counter	Standard
User code	Standard (50 codes, eight digits)
Language	<u>220-240V</u> English, German, French, Italian, Spanish, Dutch, Swedish, Norwegian, Danish, Portuguese, Polish, Czech, Finnish, Hungarian.

ENHANCED FEATURES

FEATURE	DESCRIPTION
APS / AMS	Not available (As APS is not supported, the machine cannot detect the orientation of the original document. Therefore, the original document should be fed in the same direction as the paper available in the paper tray.)
Auto tray switch	No
Directional magnification	No
Directional size magnification	No
Photo mode	Standard
Auto start	Standard
User program	No
Duplex	No
Electronic sort	Yes with 16MB memory Rotate sort is not supported as there is only one input tray.
Scan once copy many	Yes with 16MB memory If ADF is installed, 16MB option memory is mandatory, otherwise the ADF cannot be used for one to one copying
Image rotation	No
Series copy	No
Combine copy	No
Double copy	No
Erase centre / border	No
Repeat copying	No
Stapling	No
Stamp features	No
Cover/Sheet insertion	No

COPY SPEED MATRIX

	Continuous	DF 1 to 1
A4 8.5X11"	13	13
B4 8.5X14"	8	8
A3/ 11*14"	6	6

PAPER SIZES SUPPORTED

O Supported with default setting

Δ Can feed when paper size is selected in "Special Paper" in the user tools menu.

X Not supported □ Can feed when user inputs paper size

Paper Size				
Type		Size	Standard model	Bypass model
A3	SEF	297x420	O	O
A3	LEF	420x297	X	X
B4	SEF	257x364	Δ	Δ
B4	LEF	364x257	X	X
A4	SEF	210x297	O	O
A4	LEF	297x210	O	Δ
B5	SEF	182x257	Δ	Δ
B5	LEF	257x182	Δ	Δ
A5	SEF	148x210	X	O
A5	LEF	210x148	O	Δ
B6	SEF	128x182	X	Δ
B6	LEF	182x128	X	X
A6	SEF	105x148	X	□
A6	LEF	148x105	X	X
Ledger	SEF	11x17"	Δ	Δ
Ledger	LEF	17x11"	X	X
Legal	SEF	8.5x14"	Δ	Δ
Legal	LEF	14x8.5"	X	X
Government Legal	SEF	8.25x14"	Δ	□
Government Legal	LEF	14x8.25"	X	X
Letter	SEF	8.5x11"	Δ	Δ
Letter	LEF	11x8.5"	O	Δ
Half Letter	SEF	5.5x8.5"	X	Δ
Half Letter	LEF	8.5x5.5"	Δ	X
Executive	SEF	7.25x10.5"	Δ	X
Executive	LEF	10.5x7.25"	X	Δ
F	SEF	8x13"	Δ	O
F	LEF	13x8"	X	X
Foolscap	SEF	8.5x13"	O	Δ
Foolscap	LEF	13x8.5"	X	X
Folio	SEF	8.25x13"	Δ	Δ
Folio	LEF	13x8.5"	X	X
8K	SEF	267x390	Δ	□
8K	LEF	390x267	X	□
16K	SEF	195x267	Δ	□
16K	LEF	267x195	Δ	□
non-standard	width	148-297	X	□
	length	148-432		
	width	90-305	X	X
	length	148-1260		

ENVIRONMENTAL SPECIFICATIONS

*Please note these are targeted values only.

Sound Power Level

	Mainframe only	With ADF
Copying	63dB or less	67dB or less
Stand-by	40dB or less	40dB or less

Ozone Emission Level

0.02 mg/m³ or less

Dust Level

0.075 mg/m³ or less

Styrene Emission Level

Less than 0.07 mg/m³

Identification of Plastic Components

All plastic components for the IS2113 which weight more than 25g are identified accordingly as per DIN54840 or ISO11469.

Power consumption

		Copier only
Low Power mode	Power consumption	70wh
	Default interval	1 minute
	Recovery time	Less than 12 seconds
Sleep mode	Power consumption	-
	Default interval	-
Auto Off mode	Power consumption	Less than 1wh
	Default interval	30 minutes

Environmental Regulation

BAM	Energy Star	Swan
Yes	Yes	No